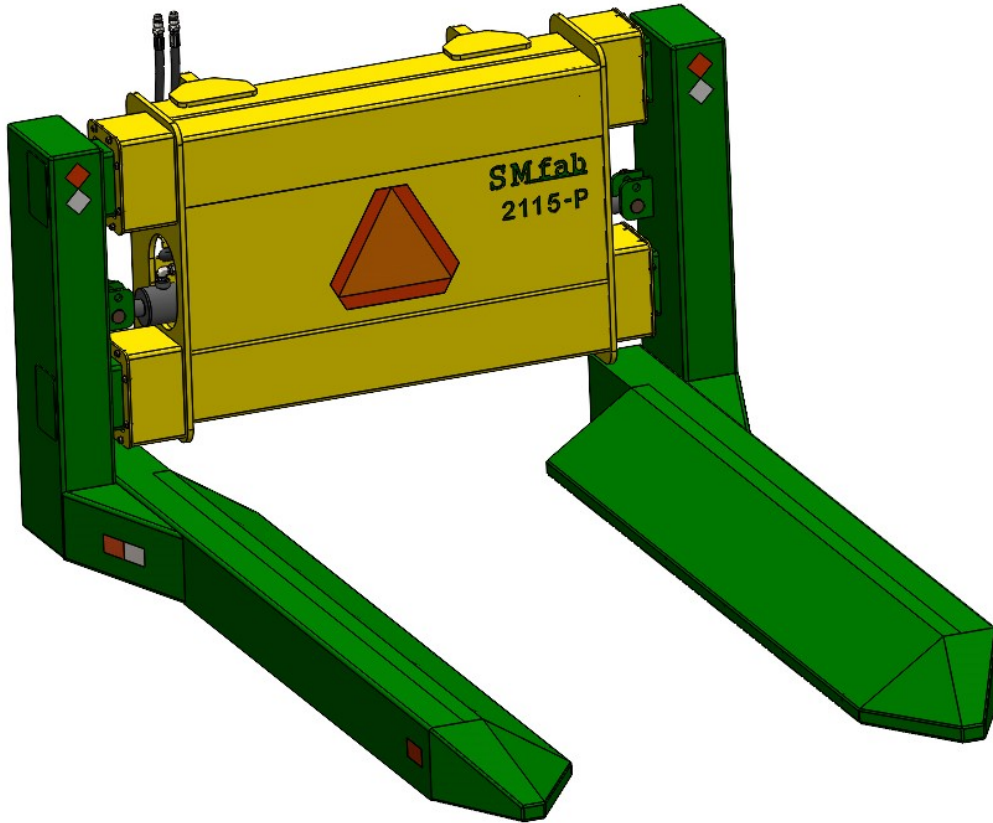


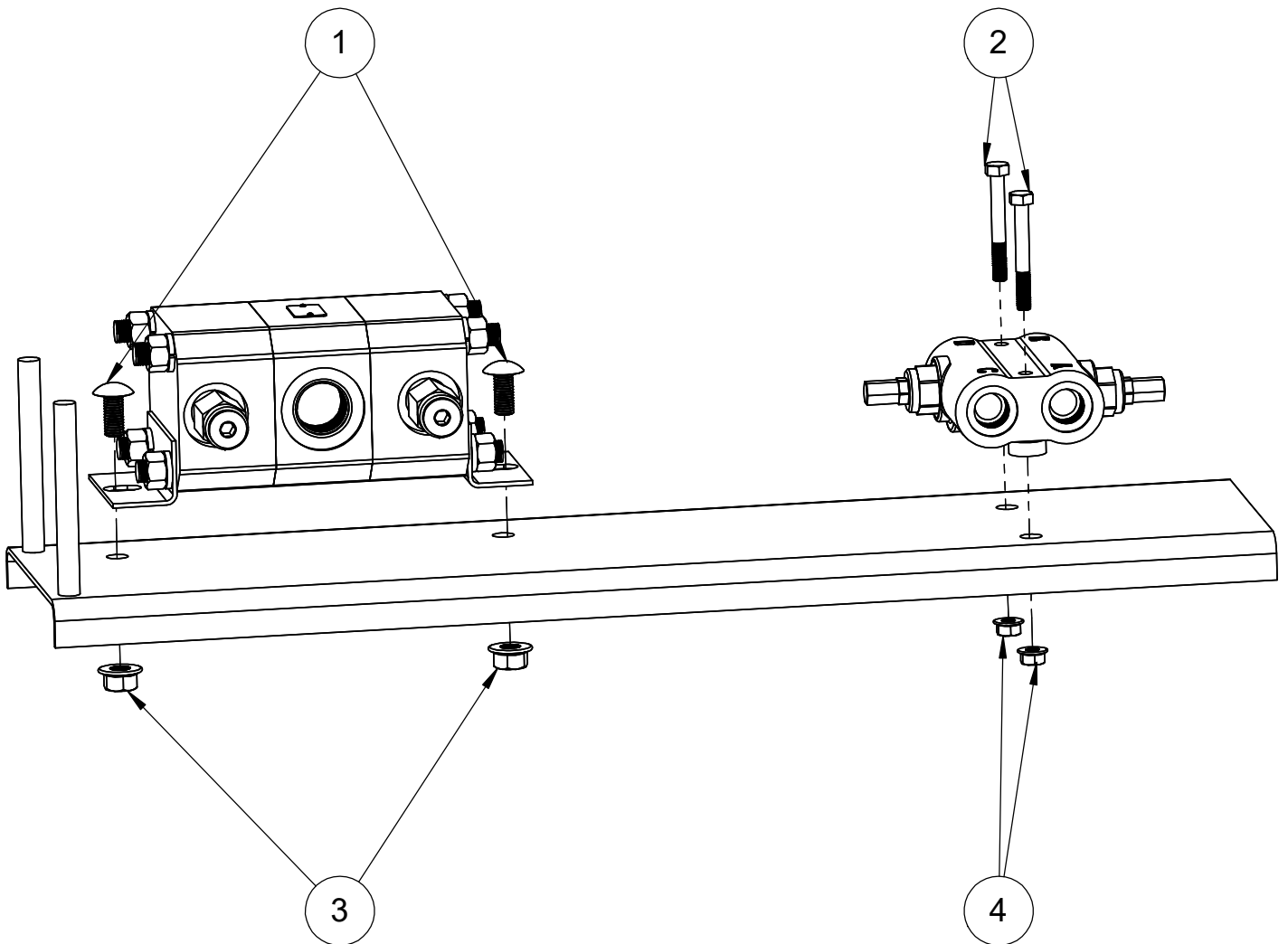
OWNER AND PARTS MANUAL

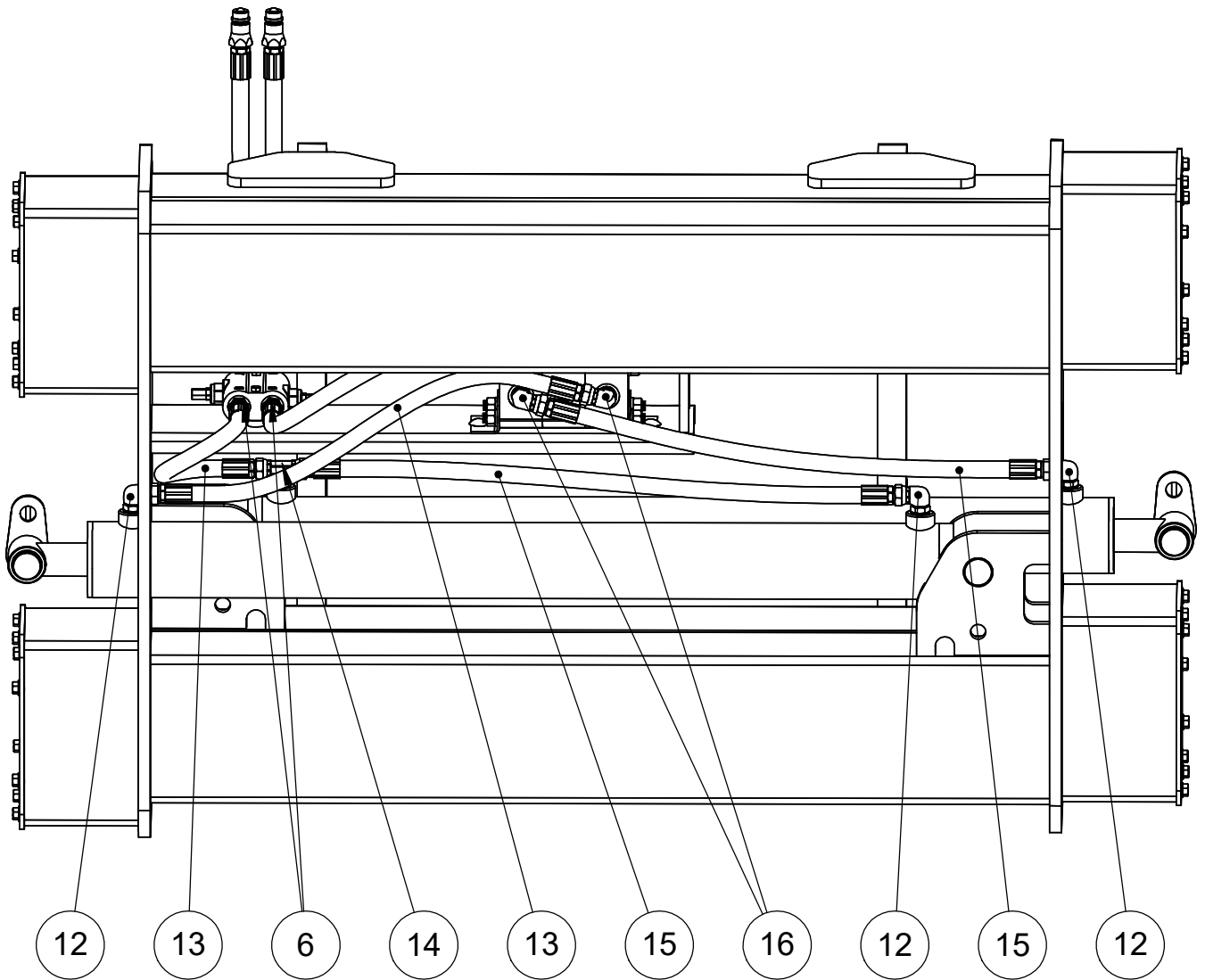
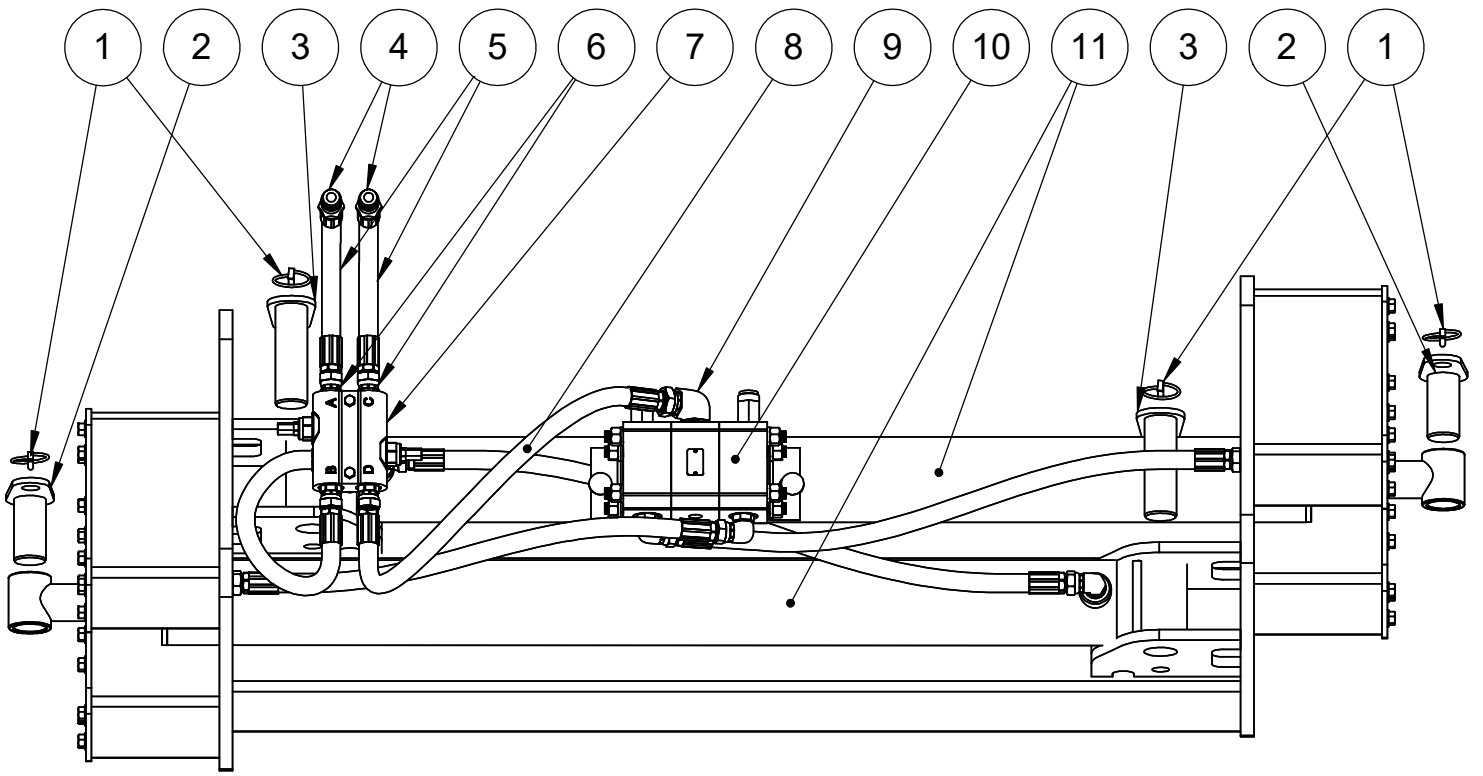
MODEL: 2115-P



**HEAVY DUTY
ROUND COTTON BALE HANDLER**

| ITEM NO. | DESCRIPTION | PART NO. | QTY. |
|----------|-----------------------------|--------------|------|
| 1 | 1/2" X 1" CARRIAGE BOLT | 11-CR5121 | 2 |
| 2 | 5/16" X 2-1/2" BOLT | 11-G5C516212 | 2 |
| 3 | 1/2" FLANGED HEAD WHIZ NUT | 11-WZN-12 | 2 |
| 4 | 5/16" FLANGED HEAD WHIZ NUT | 11-WZN-516 | 2 |





| ITEM NO. | DESCRIPTION | PART NO. | QTY. |
|-----------------|--|-------------------|-------------|
| 1 | 1/4" LYNCH PIN | 08-P794 | 4 |
| 2 | 1-1/2" X 4" CYLINDER PIN | CP1124 | 2 |
| 3 | 1-1/2" X 5-7/8" CYLINDER PIN | CP112578 | 2 |
| 4 | BALL TIP COUPLER W/ 1/2" - 14 FNPT THREADS | 10-8010-4MB | 2 |
| 5 | 1/2" X 2W X 48" HYDRAULIC HOSE ASSEMBLY | 10-82C48 | 2 |
| 6 | 8MB-8FPX FITTING | 10-6900-08-08-O | 4 |
| 7 | DOUBLE RELIEF VALVE | 127120-O | 1 |
| 8 | 24" HYDRAULIC HOSE ASSEMBLY 1/2" MPT & 3/4" MPT | 10-82C24X34 | 1 |
| 9 | 16MB-12FPX90 FITTING | 10-6901-16-12-NWO | 1 |
| 10 | HYDRAULIC FLOW DIVIDER | FD4F662 | 1 |
| 11 | 4" X 40" WELDED HYDRAULIC CYLINDER | HY4040 | 2 |
| 12 | 8MB-8FPX90 FITTING | 10-6901-08-08-NWO | 3 |
| 13 | 1/2" X 2W X 24" HYDRAULIC HOSE ASSEMBLY | 10-82C24 | 2 |
| 14 | 8FPX-8FPX-8MB FITTING | 10-6911-08-08-08 | 1 |
| 15 | 1/2" X 2W X 36" HYDRAULIC HOSE ASSEMBLY | 10-82C36 | 2 |
| 16 | 10MB-8FPX90 FITTING | 10-6901-10-08-NWO | 2 |

| ITEM NO. | DESCRIPTION | PART NO. | QTY. | | | | | | | | | | |
|----------|---|---------------|------|-------------------|------|---|-----------------|--------|---|---|-------------------------------|---------|----|
| 1 | LEFT FINGER | SML15 | 1 | | | | | | | | | | |
| 2 | 3" X 3-1/2" WEAR PADS | WP3312 | 16 | | | | | | | | | | |
| 3 | FLANGED HEAD WHIZ NUT | 00258-2600401 | 32 | | | | | | | | | | |
| 4 | 3/8"-16 X 1-1/4" BUTTON SOCKET CAP BOLT | BSNC2618400 | 32 | | | | | | | | | | |
| 5 | RIGHT FINGER | SMR15 | 1 | | | | | | | | | | |
| 6 | 6" X 7" WEAR PADS | WP67 | 7 | 6" X 6" WEAR PADS | WP66 | 8 | WEAR PAD KEEPER | 108WPK | 4 | 9 | 3/8" X 3/4" FLANGED HEAD BOLT | 3712MWW | 32 |
| 7 | 6" X 6" WEAR PADS | WP66 | | | | | | | | | | | |
| 8 | WEAR PAD KEEPER | 108WPK | 4 | | | | | | | | | | |
| 9 | 3/8" X 3/4" FLANGED HEAD BOLT | 3712MWW | 32 | | | | | | | | | | |

